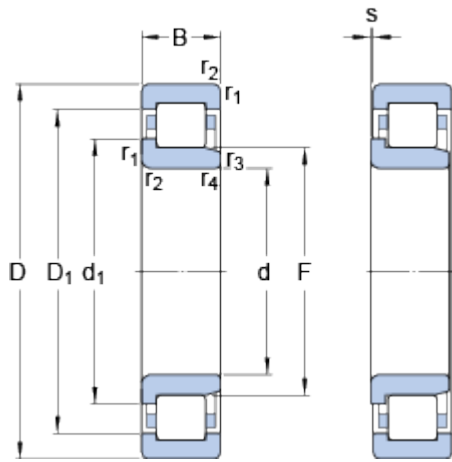


NJ 238 ECML

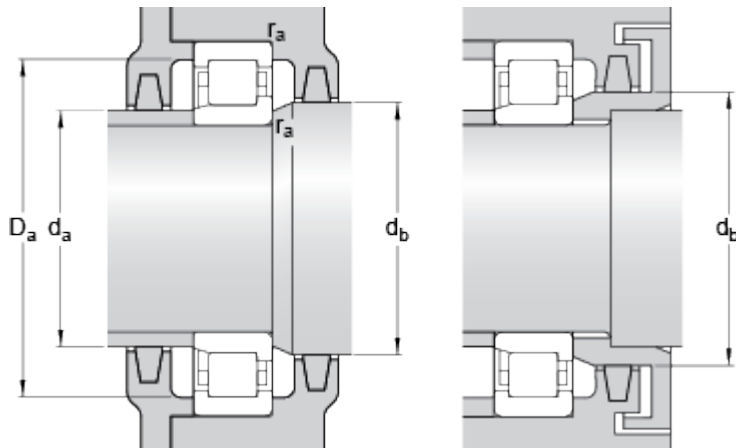
SKF Explorer

Dimensions



d		190	mm
D		340	mm
B		55	mm
d ₁	≈	244	mm
D ₁	≈	295	mm
F		230	mm
r _{1,2}	min.	4	mm
r _{3,4}	min.	4	mm
s		3	mm

Abutment dimensions



d _a	min.	207	mm
d _a	max.	226	mm
d _b	min.	248	mm
D _a	max.	321.9	mm
r _a	max.	3	mm

Calculation data

Basic dynamic load rating	C	800	kN
Basic static load rating	C ₀	965	kN
Fatigue load limit	P _u	98	kN
Reference speed		2000	r/min
Limiting speed		3400	r/min
Calculation factor	k _r	0.23	

Mass

Mass bearing	22.192	kg
--------------	--------	----

Appropriate products

Angle ring	HJ 238 EC
------------	-----------

